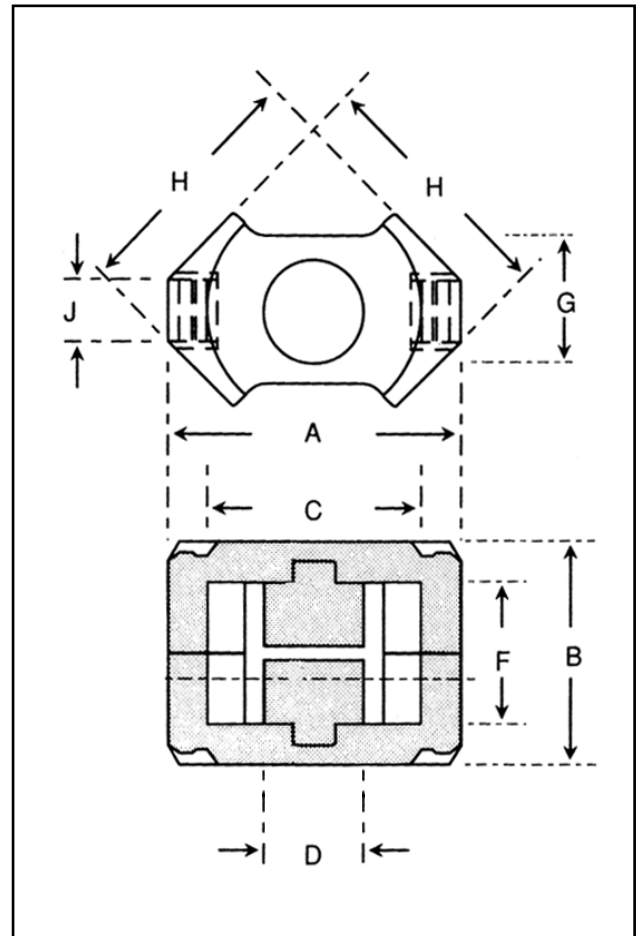


Dimensions

Symbol	Value (mm)
'A'	14.00-14.60
'B'	10.30-10.50
'C'	10.20-10.60
'D'	4.70-4.90
'F'	6.30-6.70
'G'	6.40-6.80
'H'	11.80-12.30
'J'	2.50-2.70

Effective Geometric Parameters

Parameter	Symbol	Value	Unit
$\Sigma(l/A)$	$C_1$	0.93	$\text{mm}^{-1}$
effective magnetic path length	$l_e$	22.10	mm
effective area of magnetic path	$A_e$	23.80	$\text{mm}^2$
minimum area of magnetic path	$A_{\min}$	18.00	$\text{mm}^2$
effective volume	$V_e$	526	$\text{mm}^3$

Electrical Specification

Grade	$A_L$	Tolerance on $A_L$ (%)	Gap Length (mm)	Eff. Permeability	Part No.
F10	5200	+30/-20	-	$\approx 3848$	29-720-37
F39	6700	+40/-30	-	$\approx 4958$	29-720-39
F44	1570	+30/-20	-	$\approx 1162$	29-720-44
F44	100	$\pm 5$	$\approx 0.35$	$\approx 74$	29-721-44*
F44	160	$\pm 5$	$\approx 0.20$	$\approx 118$	29-722-44*
F44	250	$\pm 5$	$\approx 0.12$	$\approx 185$	29-723-44*
F44	315	$\pm 5$	$\approx 0.09$	$\approx 233$	29-724-44*
F5C	315	$\pm 5$	$\approx 0.10$	$\approx 233$	29-7207-S49*

\*Part number refers to a pair of cores