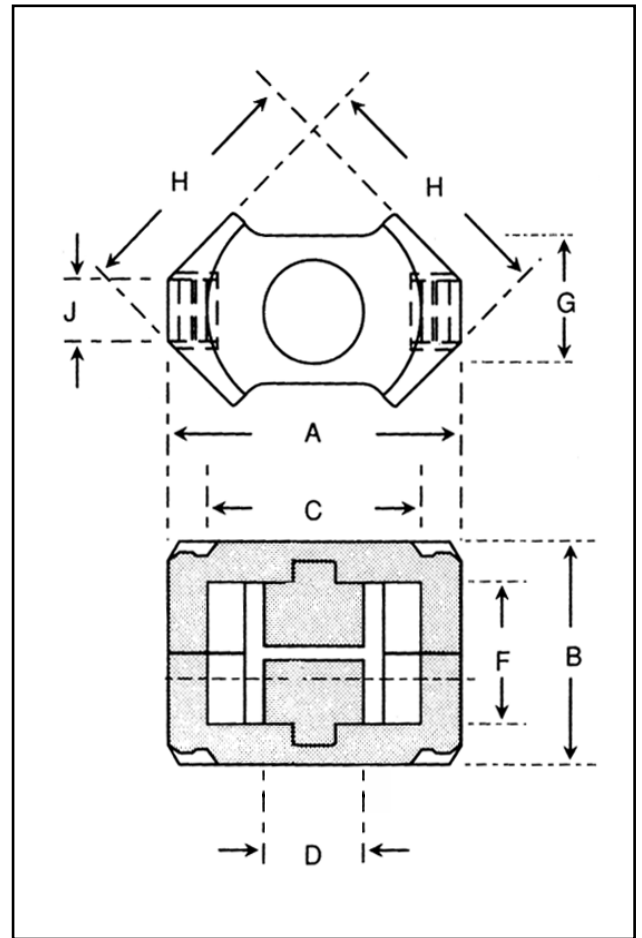


Dimensions

Symbol	Value (mm)
'A'	10.60-11.00
'B'	10.30-10.50
'C'	7.95-8.35
'D'	3.70-3.90
'F'	7.00-7.40
'G'	4.40-4.60
'H'	9.50-9.80
'J'	2.50-2.70

Effective Geometric Parameters

Parameter	Symbol	Value	Unit
$\Sigma(l/A)$	C_1	1.70	mm^{-1}
effective magnetic path length	l_e	22.00	mm
effective area of magnetic path	A_e	13.00	mm^2
minimum area of magnetic path	A_{\min}	11.30	mm^2
effective volume	V_e	286	mm^3



Electrical Specification

Grade	A_L	Tolerance on A_L (%)	Gap Length (mm)	Eff. Permeability	Part No.
F10	2800	+30/-20	-	≈ 3788	29-920-37