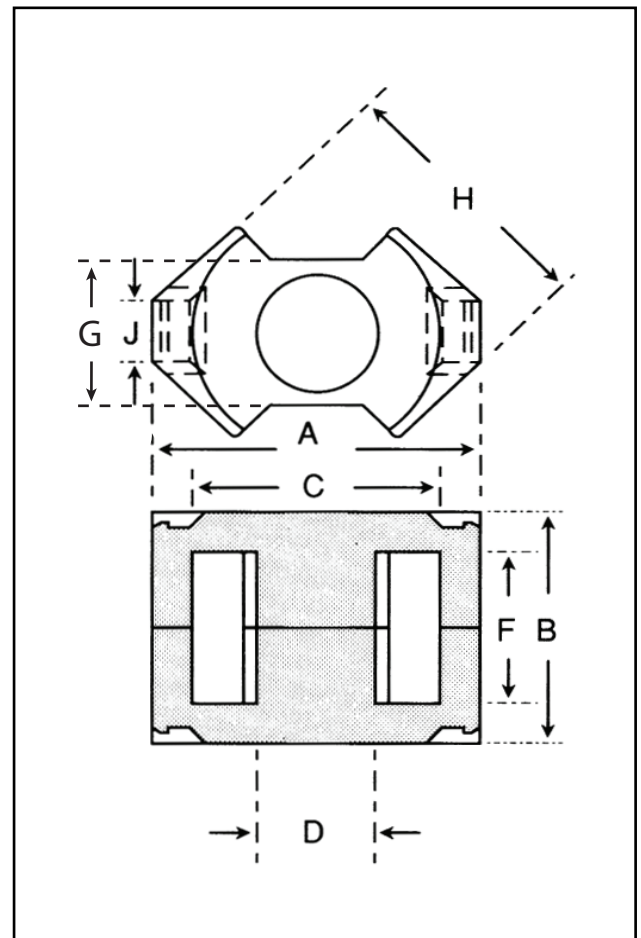


Dimensions

Symbol	Value (mm)
'A'	36.10-37.60
'B'	24.30-24.60
'C'	25.00-26.00
'D'	12.40-12.80
'F'	16.80-17.40
'G'	15.60-16.10
'H'	28.60-29.80
'J'	5.00 nom.

Effective Geometric Parameters

Parameter	Symbol	Value	Unit
$\Sigma(l/A)$	C_1	0.388	mm^{-1}
effective magnetic path length	l_e	56.60	mm
effective area of magnetic path	A_e	146.00	mm^2
minimum area of magnetic path	A_{\min}	125.00	mm^2
effective volume	V_e	8340	mm^3

Electrical Specification

Grade	A_L	Tolerance on A_L (%)	Gap Length (mm)	Eff. Permeability	Part No.
F44	5000	+30/-20	-	≈ 1544	29-940-44
F48	6069	+30/-20	-	≈ 1874	29-940-48
F9	9200	+30/-20	-	≈ 2841	29-940-36
F39	14200	+40/-30	-	≈ 4384	29-940-39
F48	160	+5/-5	≈ 1.30	≈ 49	29-941-48*
F48	250	+5/-5	≈ 0.70	≈ 77	29-942-48*
F48	400	+5/-5	≈ 0.35	≈ 124	29-943-48*

*Part number refers to a pair of cores