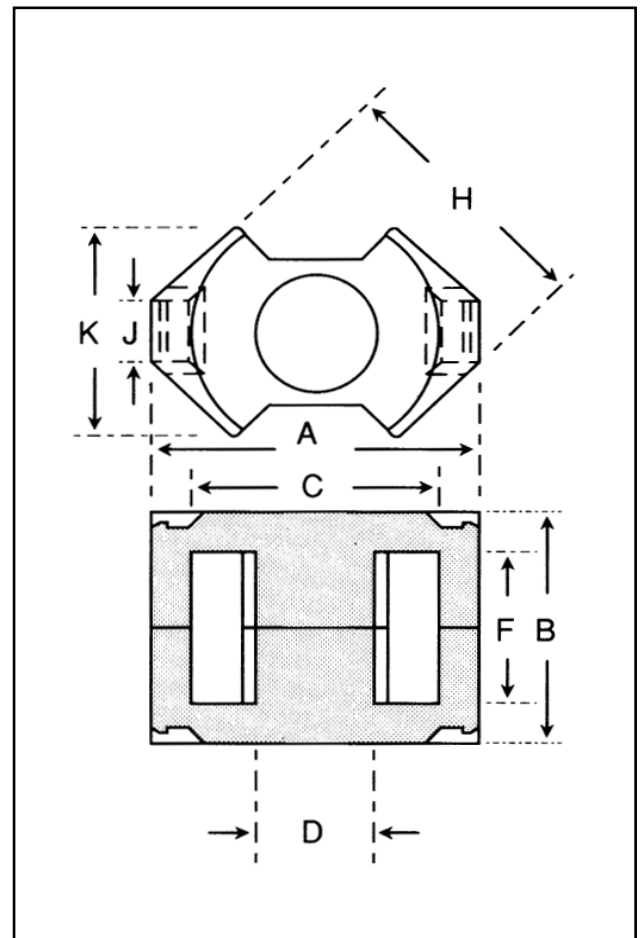


Dimensions

Symbol	Value (mm)
'A'	27.20-28.40
'B'	18.50-18.70
'C'	21.20-22.10
'D'	10.50-10.90
'F'	12.40-13.00
'H'	23.60-24.70
'J'	5.00 nom.
'K'	18.94 nom.

Effective Geometric Parameters

Parameter	Symbol	Value	Unit
$\Sigma(l/A)$	C_1	0.45	mm^{-1}
effective magnetic path length	l_e	44.00	mm
effective area of magnetic path	A_e	98.00	mm^2
minimum area of magnetic path	A_{\min}	90.00	mm^2
effective volume	V_e	4310	mm^3



Electrical Specification

Grade	A_L	Tolerance on A_L (%)	Gap Length (mm)	Eff. Permeability	Part No.
F48	4250	+30/-20	-	≈ 1522	29-850-48
F9	7875	+30/-20	-	≈ 2820	29-850-36
F39	16000	+40/-30	-	≈ 5730	29-850-39
F5A	160	± 5	≈ 0.90	≈ 57	29-862-49*
F48	200	± 3	≈ 0.70	≈ 72	29-8614-48*
F47	250	± 3	≈ 0.55	≈ 90	29-863-47*
F44	400	± 5	≈ 0.21	≈ 143	29-865-44*
F5A	630	± 5	≈ 0.13	≈ 226	29-8609-S49*

*Part number refers to a pair of cores