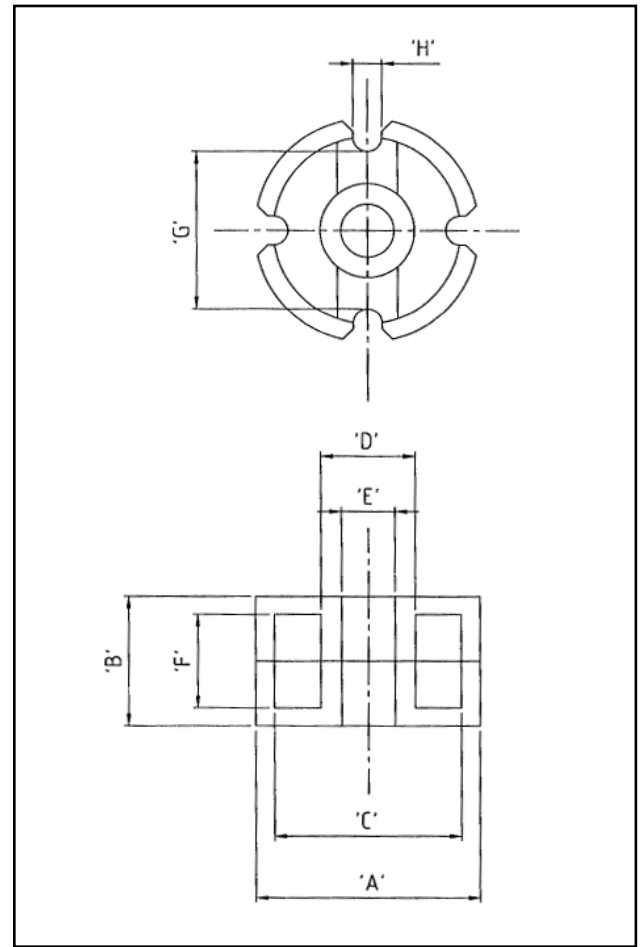


Dimensions

Symbol	Value (mm)
'A'	44.08-45.92
'B'	29.10-29.30
'C'	36.55-38.13
'D'	19.70-20.68
'E'	5.00-5.45
'F'	18.80-19.20
'G'	32.54-34.14
'H'	3.60-4.60

Effective Geometric Parameters

Parameter	Symbol	Value	Unit
$\Sigma(l/A)$	$C_1$	0.185	mm <sup>-1</sup>
effective magnetic path length	$l_e$	67.00	mm
effective area of magnetic path	$A_e$	362	mm <sup>2</sup>
effective volume	$V_e$	24300	mm <sup>3</sup>

Electrical Specification

Grade	$A_L$	Tolerance on $A_L$ (%)	Gap Length (mm)	Eff. Permeability	Part No.
F10	22000	+30/-20	-	≈3240	29-1280-37
F5A	11600	+30/-20	-	≈1708	29-1280-S49